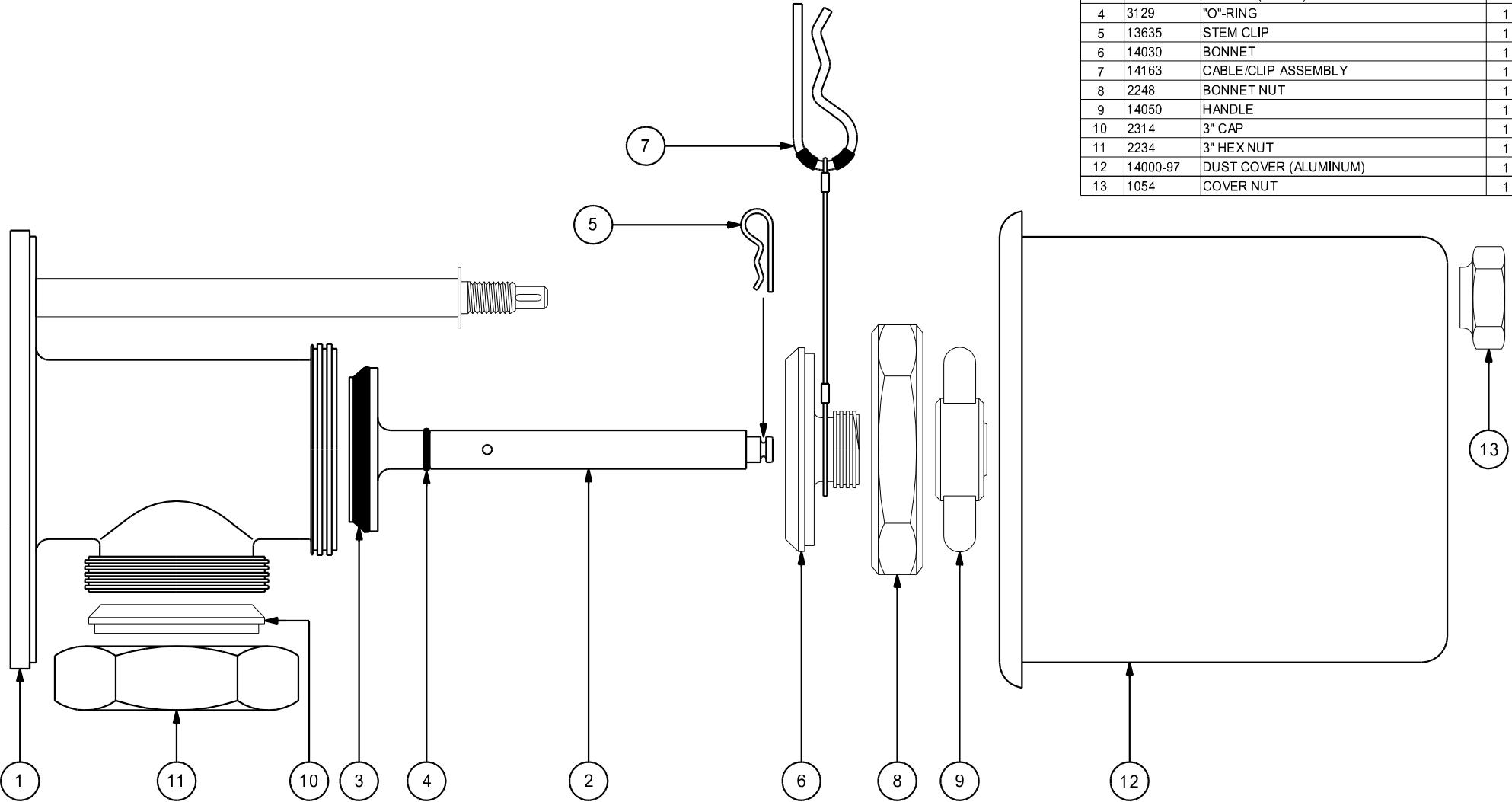


SURFACE FINISH
32 RA OR BETTER

ITEM	PART NO.	DESCRIPTION	QTY
1	1030AB	BODY	1
2	14095	STEM / PLUG ASSEMBLY	1
3	14116-WO	GASKET (WHITE)	1
4	3129	"O"-RING	1
5	13635	STEM CLIP	1
6	14030	BONNET	1
7	14163	CABLE/CLIP ASSEMBLY	1
8	2248	BONNET NUT	1
9	14050	HANDLE	1
10	2314	3" CAP	1
11	2234	3" HEX NUT	1
12	14000-97	DUST COVER (ALUMINUM)	1
13	1054	COVER NUT	1



NOTES

PPV INC Process Pipe & Valve (262) 653-2070
 6841-46 th Street, Kenosha, WI 53144 Fax (262) 653-2072

1030 / 60TTF TANKER VALVE ASSEMBLY			
DATE	DRAWN BY	PLOT SCALE	PRT. NO.
7/22/08	RICCHIO	DO NOT SCALE	1030 / 60TTF